

Diaphragm pressure regulators with large secondary venting and low internal air consumption.

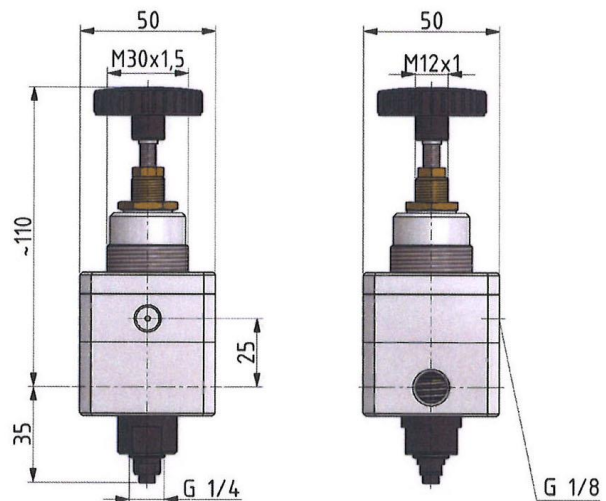
Max. input pressure	12 bar
Control range	0.05 - 8 bar
Medium temperature	-10 to 60 °C
Ambient temperature	-10 to 60 °C
Medium	Micro-filtered, unoiled compressed air (0.01 µm)
Housing	Aluminium
Sealant	NBR
Gauge port size	G 1/8
Vent port	G 1/4
Max. internal air consumption	< 0.5 l/min at P <sub>1</sub> = 8 bar
Flow rate	1250 l/min
Flow rate measurement	At P <sub>1</sub> = 8 bar, P <sub>2</sub> = 6 bar and pressure drop Δ <sub>p</sub> = 1 bar

**Precision pressure regulator without pressure gauge**

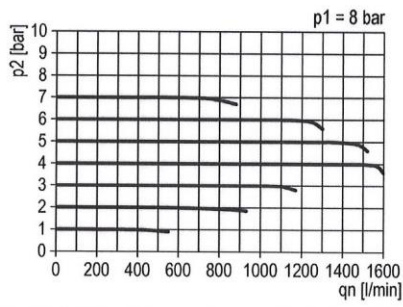
Art. No.	Type No.	Thread
135884	637.97	G 1/4

**Accessories**

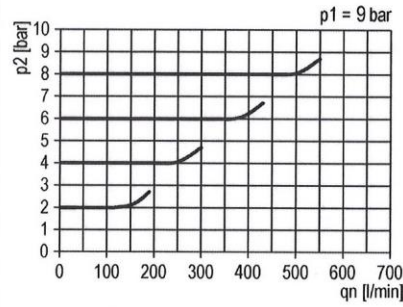
Art. No.	Type No.	Description
100344	MV 30	Mounting bracket with nut M30x1.5
101672	110.46-KD	Standard pressure gauge



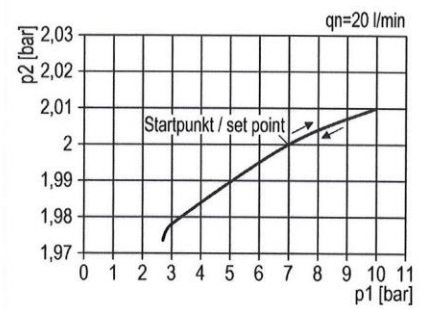
flow characteristic



pressure characteristics



pressure characteristic



symbol

